



REPLY TO
ATTENTION OF:

DEPARTMENT OF THE ARMY
U.S. ARMY ENGINEER DISTRICT, MOBILE
CORPS OF ENGINEERS
P.O. BOX 2288
MOBILE, ALABAMA 36628-0001

CESAM-RD-S
PUBLIC NOTICE NO. SAM-2015-01189-GAC

February 22, 2015

JOINT PUBLIC NOTICE
U.S. ARMY CORPS OF ENGINEERS AND
STATE OF ALABAMA
DEPARTMENT OF ENVIRONMENTAL MANAGEMENT

WETLAND FILL FOR THE EXTENSION OF PHILOMENE HOLMES BOULEVARD AS
GRAVEL ROAD THRU THE GRAHAM CREEK NATURE PRESERVE IN FOLEY, ALABAMA

TO WHOM IT MAY CONCERN: This District has received an application for a Department of the Army permit pursuant to Section 404 of the Clean Water Act (33 USC 1344).

APPLICANT: **City of Foley, Alabama**
Attention: Mayor John Koniar
200 N. Alston Street
Foley, Alabama 36535

LOCATION: **Section 3 and 14, Township 8 South, Range 4 East, Latitude 30.346532° North, Longitude -87.632459° West, at 23004 Wolf Bay Drive, Foley, Baldwin County, Alabama.**

WORK: **The applicant proposes to fill approximately 1.61 acres of forested wetland area in conjunction with the extension of Philomene Holmes Boulevard from existing location to the east and north to connect with Wolf Bay Drive. The gravel road is proposed to be 35-foot wide, to include surface course and shoulders. The proposed road would cross a small tributary to Graham Creek. At this tributary crossing, a 36-inch box culvert is proposed, recessed to maintain natural stream bottom. This crossing will include two smaller pipes at the sides of the culvert for hydrologic connectivity during storm events. In addition, along the portions of the road traversing wetlands, culverts will be installed at four designated locations, to maintain hydrologic connectivity.**

The proposed new road and crossing will follow the course of an existing farm road that has been utilized for many years. All work is proposed in accordance with the attached plans and drawings.

PROJECT PURPOSE: **The overall project purpose is to provide adequate and safe public and maintenance access to the Graham Creek Nature Preserve.**

The applicant has applied for State Water Quality Certification (WQC) in accordance with Section 401(a) (1) of the Clean Water Act. Upon completion of the required advertising and public comment review, a determination relative to WQC will be made by the Alabama Department of Environmental Management (ADEM).

This public notice is being distributed to all known interested persons in order to assist in developing facts on which a decision by the U.S. Army Corps of Engineers (USACE) can be based. For accuracy and completeness of the record, all data in support of or in opposition to the proposed work should be submitted in writing setting forth sufficient detail to furnish a clear understanding of the reasons for support or opposition. The decision whether to issue a permit will be based on an evaluation of the probable impact, including cumulative impacts, of the proposed activity on the public interest. That decision will reflect the national concern for both protection and utilization of important resources. The benefit, which reasonably may be expected to accrue from the proposal, must be balanced against its reasonably foreseeable detriments. All factors which may be relevant to the proposal will be considered, including the cumulative effects thereof; among those are conservation, economics, aesthetics, general environmental concerns, wetlands, cultural values, fish and wildlife values, flood hazards, flood plain values, land use, navigation, shoreline erosion and accretion, recreation, water supply and conservation, water quality, energy needs, safety, food production, and in general, the needs and welfare of the people.

The USACE is soliciting comments from the public; Federal, State, and local agencies and officials; Indian Tribes; and other interested parties in order to consider and evaluate the impacts of this proposed activity. Any comments received will be considered by USACE to determine whether to issue, modify, condition or deny a permit for this proposal. To make this decision, comments are used to assess impacts on endangered species, historic properties, water quality, general environmental effects, and the other public interest factors listed above. Comments are used in the preparation of an Environmental Assessment and/or an Environmental Impact Statement pursuant to the National Environmental Policy Act. Comments are also used to determine the need for a public hearing and to determine the overall public interest of the proposed activity.

Any person may request, in writing, within the comment period specified in this notice, that a public hearing be held to consider this application. Requests for public hearings shall state with particularity, the reasons for holding a public hearing.

Evaluation of the probable impacts involving deposits of dredged or fill material into waters of the United States will include the application of guidelines established by the Administrator of the U.S. Environmental Protection Agency.

The National Register of Historic Places will be consulted for properties listed in or eligible for the National Register, which are known to exist and would be affected by the proposed work. Additional notification will be furnished to the State Historic Preservation Officer via this Public

Notice. This review constitutes the full extent of cultural resources investigations unless comment to this notice is received documenting that significant sites or properties exist which may be affected by this work, or that adequately documents that a potential exists for the location of significant sites or properties within the permit area. Preliminary review of this application and the U.S. Department of the Interior List of Endangered and Threatened Wildlife and Plants indicates that no listed endangered and threatened species or their critical habitat occur within the project area. Notification to the U.S. Fish and Wildlife Service will be furnished via this Public Notice.

Correspondence concerning this Public Notice should refer to Public Notice Number **SAM-2015-01189-GAC** and should be directed to the District Engineer, U. S. Army Corps of Engineers, Regulatory Division, Attention: Mr. Glen A. Cunningham, Post Office Box 2288, Mobile, Alabama 36628-0001, with a copy to Alabama Department of Environmental Management, Mobile Branch, Coastal Section, 3664 Dauphin Street, Suite B, Mobile, Alabama 36608. Comments should be received no later than 30 days from the date of this Public Notice.

All Comments should be received no later than 30 days from the date of this Public Notice. If you have any questions concerning this publication, you may contact this office, Mr. Cunningham at (251) 694-4077 or glen.a.cunningham@usace.army.mil. Please refer to the above Public Notice number SAM-2015-01189-GAC.

For additional information about our Regulatory Program, please visit our web site at www.sam.usace.army.mil/Missions/Regulatory.

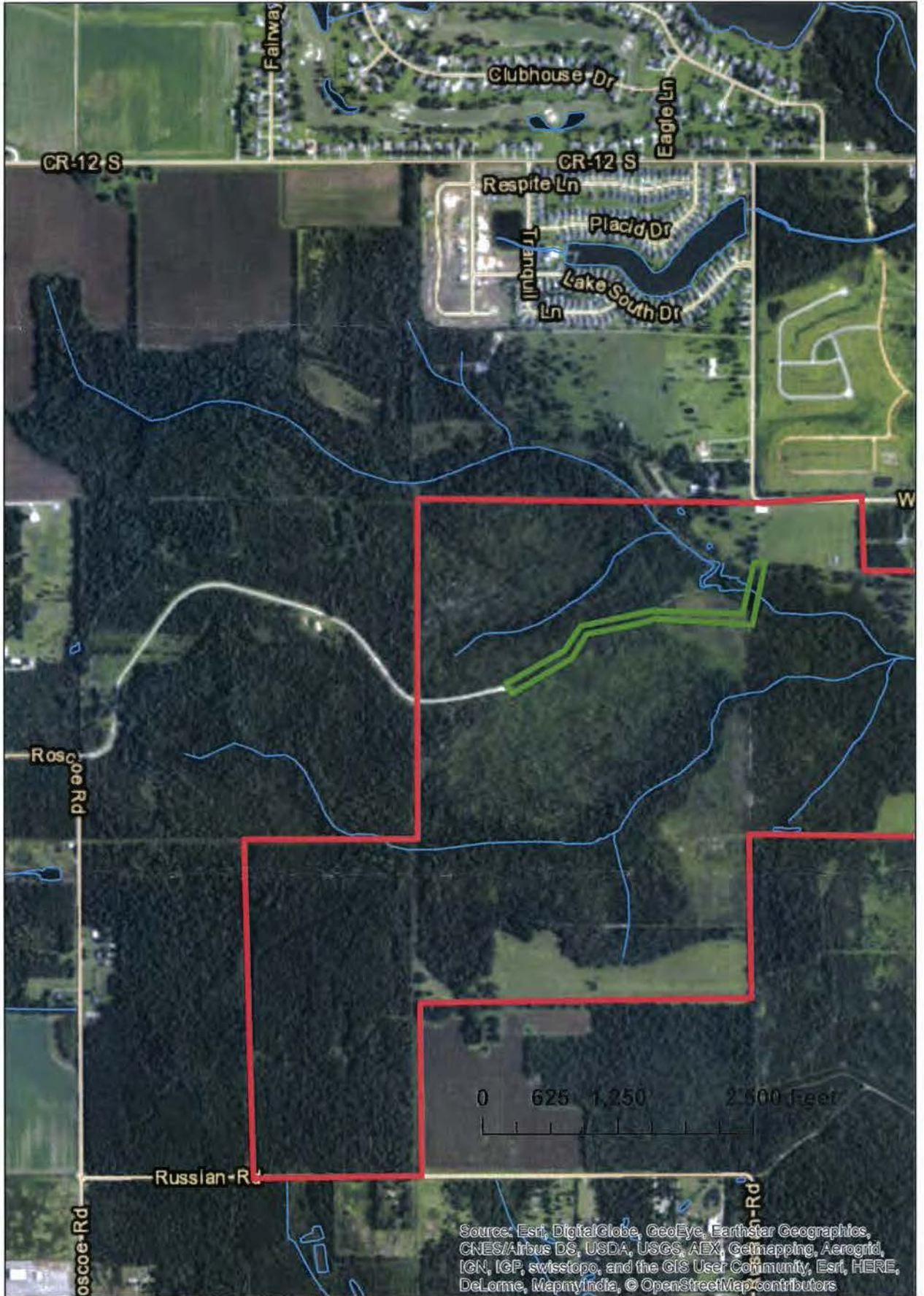
MOBILE DISTRICT
U.S. Army Corps of Engineers

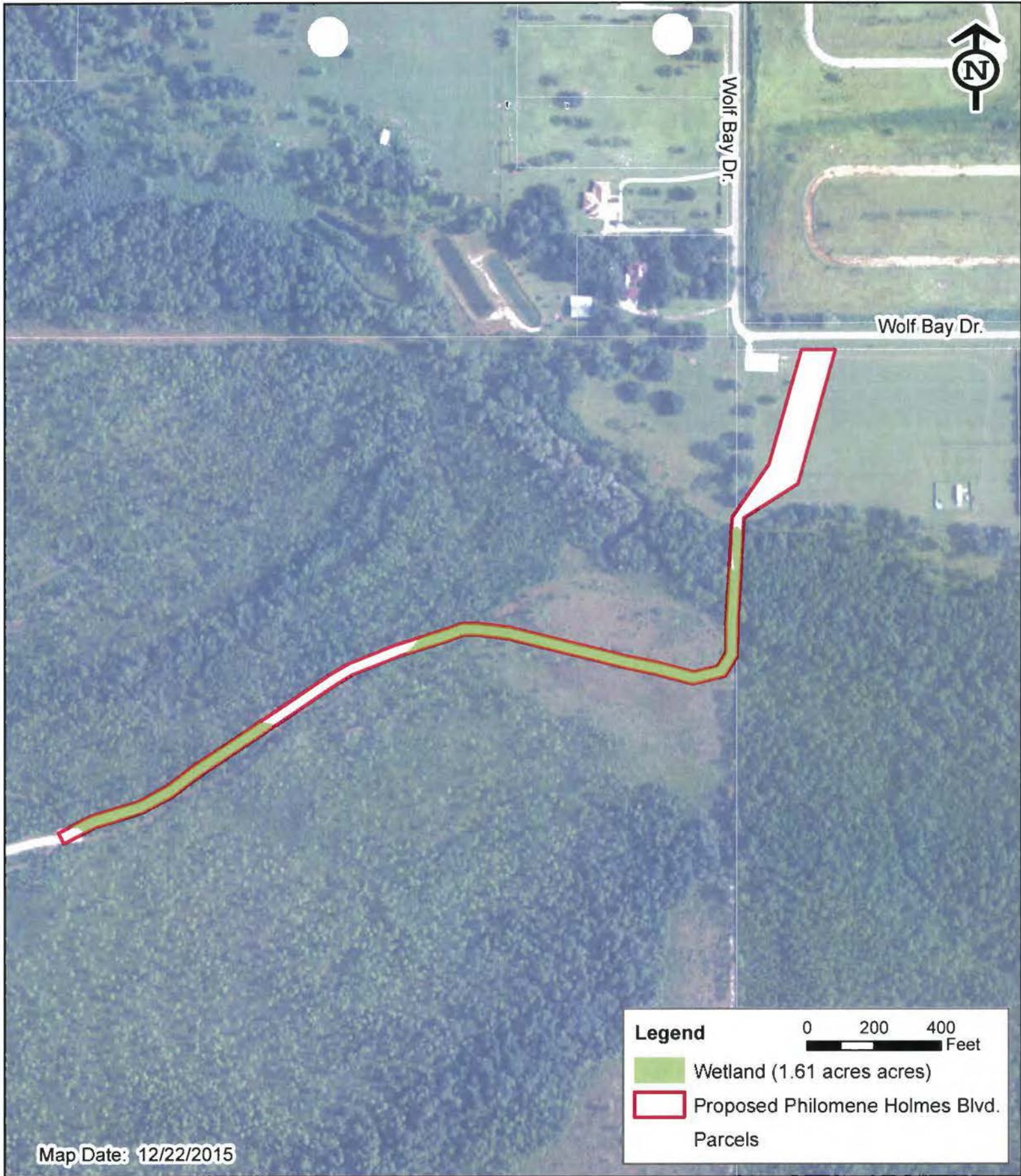
Enclosures

Philomene Holmes Blvd Expansion





Philomene Holmes Blvd Expansion





Map Date: 12/22/2015

Legend	0 200 400 Feet
 Wetland (1.61 acres)	
 Proposed Philomene Holmes Blvd. Parcels	

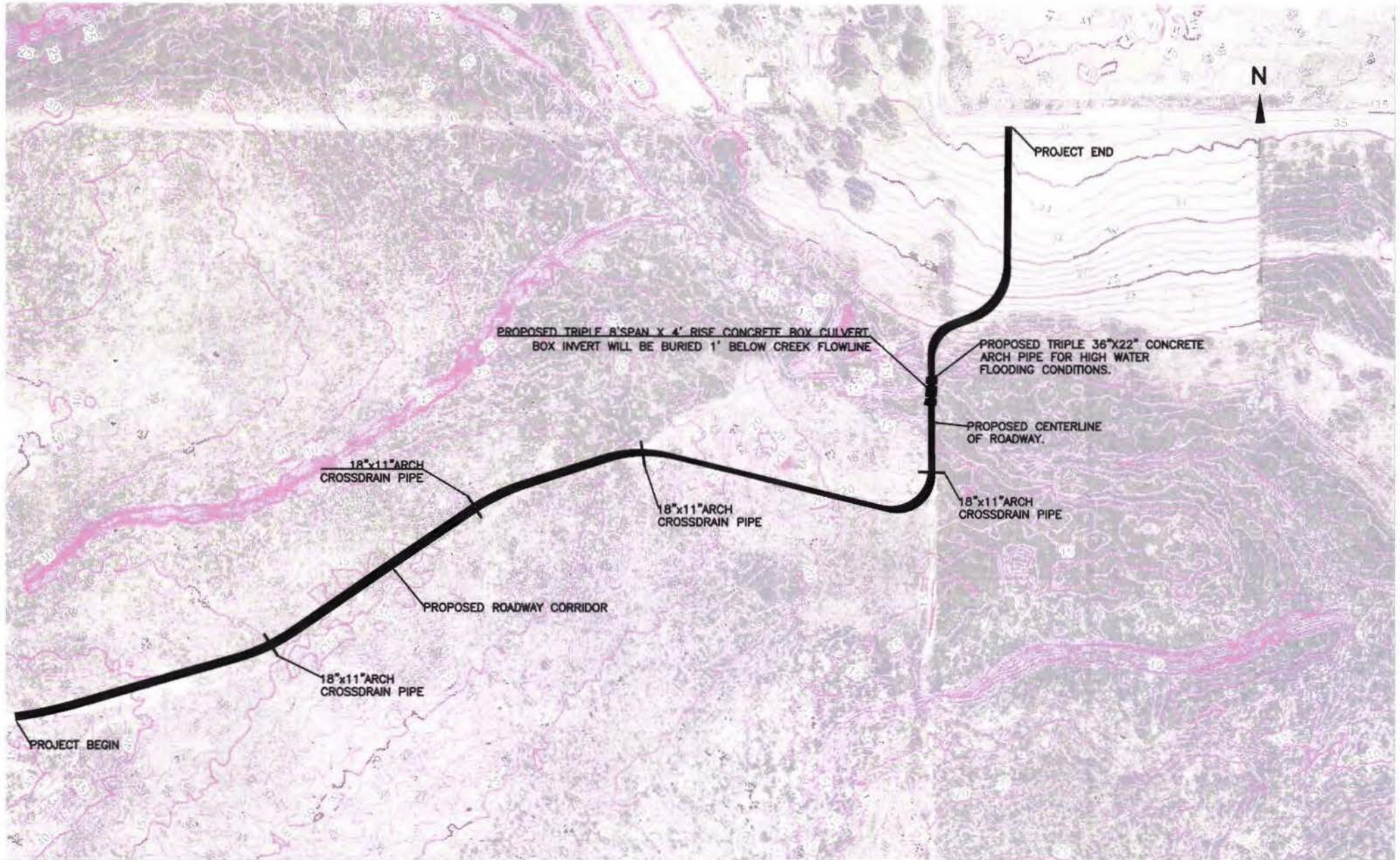
This map is not a survey. Wetland boundaries were identified and marked by Wetland Resources Environmental Consulting (WREC) and were mapped by TTL, Inc. using a Trimble GEO7X GPS unit capable of sub-meter precision. For more information, please contact WREC at (251) 928-6157.

Graham Creek Nature Preserve
 Philomene Holmes Boulevard
 Foley, Baldwin Co., Alabama

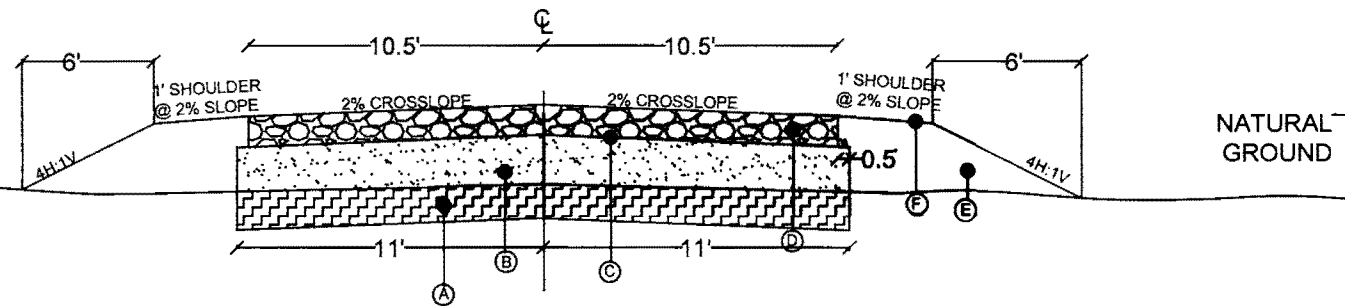


P.O. Box 2694
 Daphne, AL 36526
 251-928-6157 (O)
 251-402-6055 (C)

Basemap: 2009 Aerial Photograph (Baldwin Co.)



GRAHAM CREEK ROAD EXTENSION SOUTH OF CREEK



TYPICAL SECTION ORDER

- (A) UNDERCUT TOPSOIL AND ORGANICS (8"-12") AND COMPACT SUBGRADE TO EITHER 95% COMPACTION OR BY PROOF ROLLING WITH LOADED DUMP TRUCK. BACKFILL WITH SANDY -CLAY MATERIAL (A-2-4 OR BETTER).
- (B) APPLY SANDY - CLAY MATERIAL (A-2-4 OR BETTER) AT A 2% CROSSLOPE TO A COMPACTED DEPTH OF 12" IN LIFTS NOT GREATER THAN 8" LOOSE THICKNESS.
- (C) COMPACT BACKFILL LAYER TO 95% DENSITY, OR PROOF ROLL WITH FULLY LOADED DUMP TRUCK. APPLY FILTER FABRIC WHEN FULLY COMPACTED AND PROOFED.
- (D) APPLY 6" COMPACTED (OR 8" LOOSE) CRUSHED AGGREGATE "B" BASE AT 2% CROSSLOPE
- (E) BORROW (AS NEEDED) FOR SHOULDER BACKFILL
- (F) APPLY 4" TOPSOIL TO SHOULDERS AND DITCH SLOPES