



REPLY TO
ATTENTION OF:

Mississippi Branch
Regulatory Division

DEPARTMENT OF THE ARMY
U.S. ARMY ENGINEER DISTRICT, MOBILE DISTRICT
P.O. BOX 2288
MOBILE, ALABAMA 36628-0001

November 20, 2013

**JOINT PUBLIC NOTICE SAM-2013-01296-PAH
U.S. ARMY CORPS OF ENGINEERS**

**MISSISSIPPI DEPARTMENT OF ENVIRONMENTAL QUALITY
OFFICE OF POLLUTION CONTROL**

**WETLAND FILL ASSOCIATED WITH THE CONSTRUCTION AND REALIGNMENT OF A
CURVE, ST. MARTIN, JACKSON COUNTY, MISSISSIPPI**

TO WHOM IT MAY CONCERN:

This District has received an application for a Department of the Army permit pursuant to Section 404 of the Clean Water Act. Please communicate this information to interested parties.

**APPLICANT: Jackson County Road Department
Attention: Mr. Joe O'Neal
5300 Ballpark Road
Vanceleave, Mississippi 39565**

**AGENT: Dr. Dana R. Sanders, Sr.
4017 Lake Wilma Road
Moss Point, Mississippi 39562**

LOCATION: In adjacent and abutting wetlands situated south of Old Fort Bayou Road, Section 8, Township 7 South, Range 9 West, in the Bayou Talla watershed, St. Martin, Jackson County, Mississippi; Latitude 30.4499 North, Longitude -88.8034.

WORK: The applicant proposes the realignment of the existing curve in Old Fort Bayou Road impacting a total of 1.30 acres (0.71 acre will be permanent impacts and 0.59 acre will be temporary) of wetlands within the existing Bayou Talla watershed.

PROJECT PURPOSE: As stated by the applicant's agent, the project is for a proposed road realignment to increase the safety of Old Fort Bayou Road. The U.S. Army Corps of Engineers (Corps) initially determined the basic project purpose is to realign a road and is therefore non-water dependent. Additional review will be performed by the Corps and cooperating agencies.

ALTERNATIVES: The Corps' initial review of alternatives submitted by the applicant consists of the preferred alternative, three offsite alternatives and a no-action alternative. Additional review of alternatives will be performed by the Corps and cooperating agencies.

MITIGATION: The applicant has proposed the purchase of mitigation credits from an approved mitigation bank for impacts at this time. The Corps has not verified the adequacy of the applicant's mitigation proposal at this time. Further coordination will be performed by the Corps and cooperating agencies.

The applicant has applied for certification from the State of Mississippi in accordance with Section 401(a)(1) of the Clean Water Act and upon completion of the required advertising; a determination relative to certification will be made.

This public notice is being distributed to all known interested persons in order to assist in developing facts on which a decision by the Corps can be based. For accuracy and completeness of the record, all data in support of or in opposition to the proposed work should be submitted in writing setting forth sufficient detail to furnish a clear understanding of the reasons for support or opposition. The decision whether to issue a permit will be based on an evaluation of the probable impact, including cumulative impacts, of the proposed activity on the public interest. That decision will reflect the national concern for both protection and utilization of important resources.

The benefits, which reasonably may be expected to accrue from the proposal, must be balanced against its reasonably foreseeable detriments. All factors, which may be relevant to the proposal, will be considered, including the cumulative effects thereof; among those are conservation, economics, aesthetics, general environmental concerns, wetlands, cultural values, fish and wildlife values, protected species, flood hazards, flood plain values, land use, navigation, shoreline erosion and accretion, recreation, water supply and conservation, water quality, energy needs, safety, food production and in general, the needs and welfare of the people.

The Corps is soliciting comments from the public; Federal, State and local agencies and officials; Indian Tribes; and other interested parties in order to consider and evaluate the impacts of this proposed activity. Any comments received will be considered by the Corps to determine whether to issue, modify, condition or deny a permit for this proposal. To make this decision, comments are used to assess impacts on endangered species, historic properties, water quality, general environmental effects and the other public interest factors listed above. Comments are used in the preparation of an Environmental Assessment and/or an Environmental Impact Statement pursuant to the National Environmental Policy Act. Comments are also used to determine the need for a public hearing and to determine the overall public interest of the proposed activity. Any person may request, in writing, within the comment period specified in this notice, that a public hearing be held for consideration of this application. Requests for public hearings shall state with particularity, the reasons for holding a public hearing.

Evaluation of the probable impacts involving deposits of dredged or fill material into waters of the United States will include the application of guidelines established by the Administrator of the U.S. Environmental Protection Agency.

In accordance with Section 106 of the National Historic Preservation Act and Appendix C of 33 CFR 325, the undertaking defined in this notice is being considered for the potential to effect cultural and historic properties within the permit area. In accordance with Appendix C of 33 CFR Part 325, the Corps has determined that the permit area consists of the project site. Unless comment to this notice is received documenting that significant sites or properties exist which may be affected by this work or that adequately documents a potential exists for the location of significant sites or properties within the permit area, the Corps will consult with the State Historic Preservation Officer to make a final determination based upon the submitted report.

The U.S. Fish and Wildlife Service lists three endangered, threatened or candidate species as occurring or potentially occurring in this habitat in Jackson County, Mississippi. These include the Red Cockaded Woodpecker, Gopher Tortoise and the Louisiana Quillwort.

Based on an October 22, 2013 report, the applicant has stated they found no evidence of any species onsite. The Corps has initially determined the project is not likely to adversely affect listed endangered or threatened species or their critical habitats.

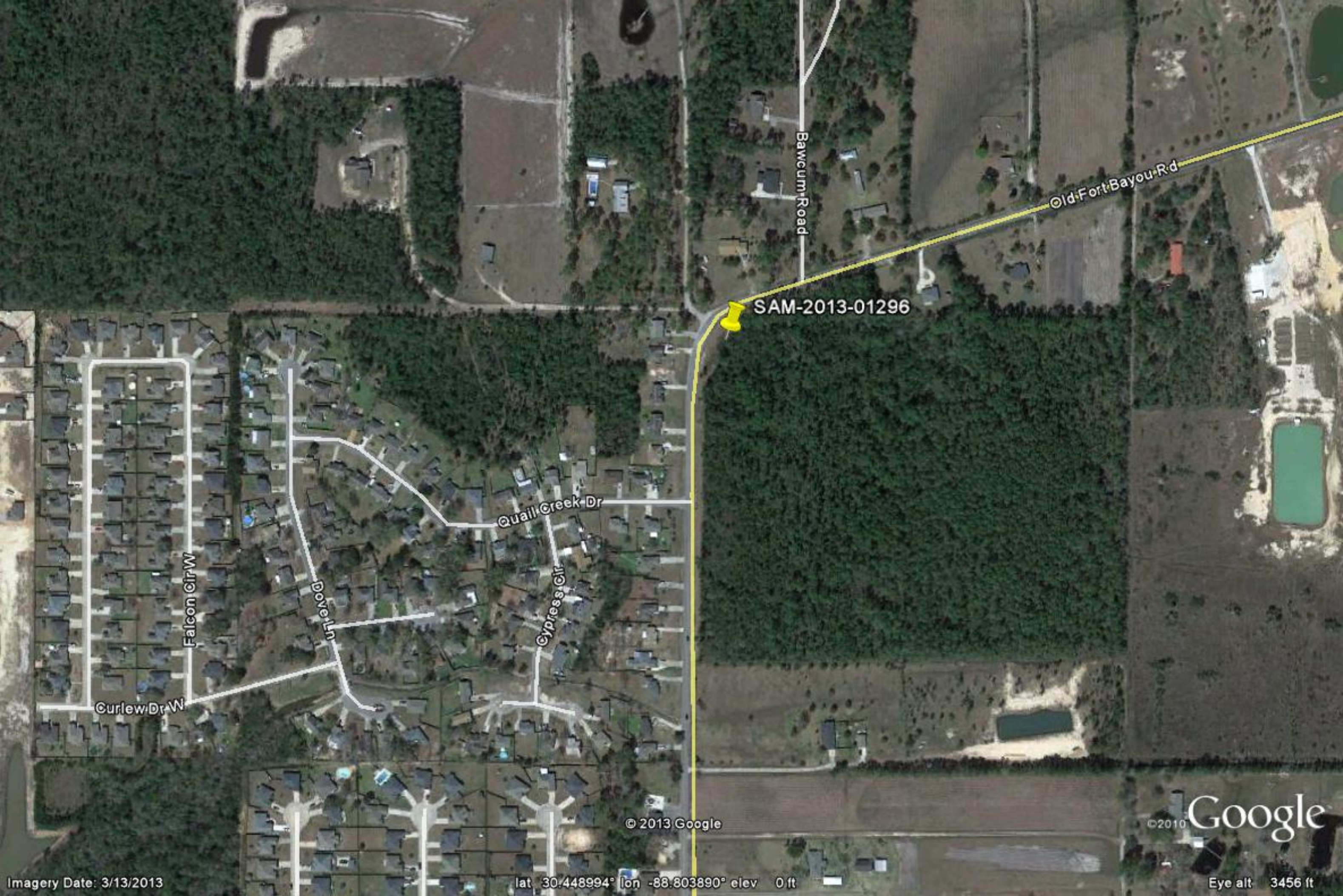
Correspondence concerning this Public Notice should refer to Public Notice Number **SAM-2013-01296-PAH** and should be directed to the District Commander, U.S. Army Engineer District, Mobile, Attention: Mr. Philip Hegji, Post Office Box 2288, Mobile, Alabama 36628-0001, and a copy to the Mississippi Department of Environmental Quality, Office of Pollution Control, Attention: Ms. Florance Watson, P.E., Post Office Box 2261, Jackson, Mississippi 39225, in time to be **received within 30 days** of the date of this public notice.

If you have any questions concerning this publication, you may contact the project manager for this application, **Mr. Hegji** (philip.a.hegji@usace.army.mil), **(251) 690-3222**. Please refer to the above Public Notice number.

For additional information about our Regulatory Program, please visit our web site at www.sam.usace.army.mil/Missions/Regulatory.aspx.

MOBILE DISTRICT
U.S. Army Corps of Engineers

Enclosures



SAM-2013-01296

Bawcum Road

Old-Fort-Bayou-Rd

Quail Creek Dr

Cypress Cir

Dove Ln

Falcon Cir W

Curlew Dr W

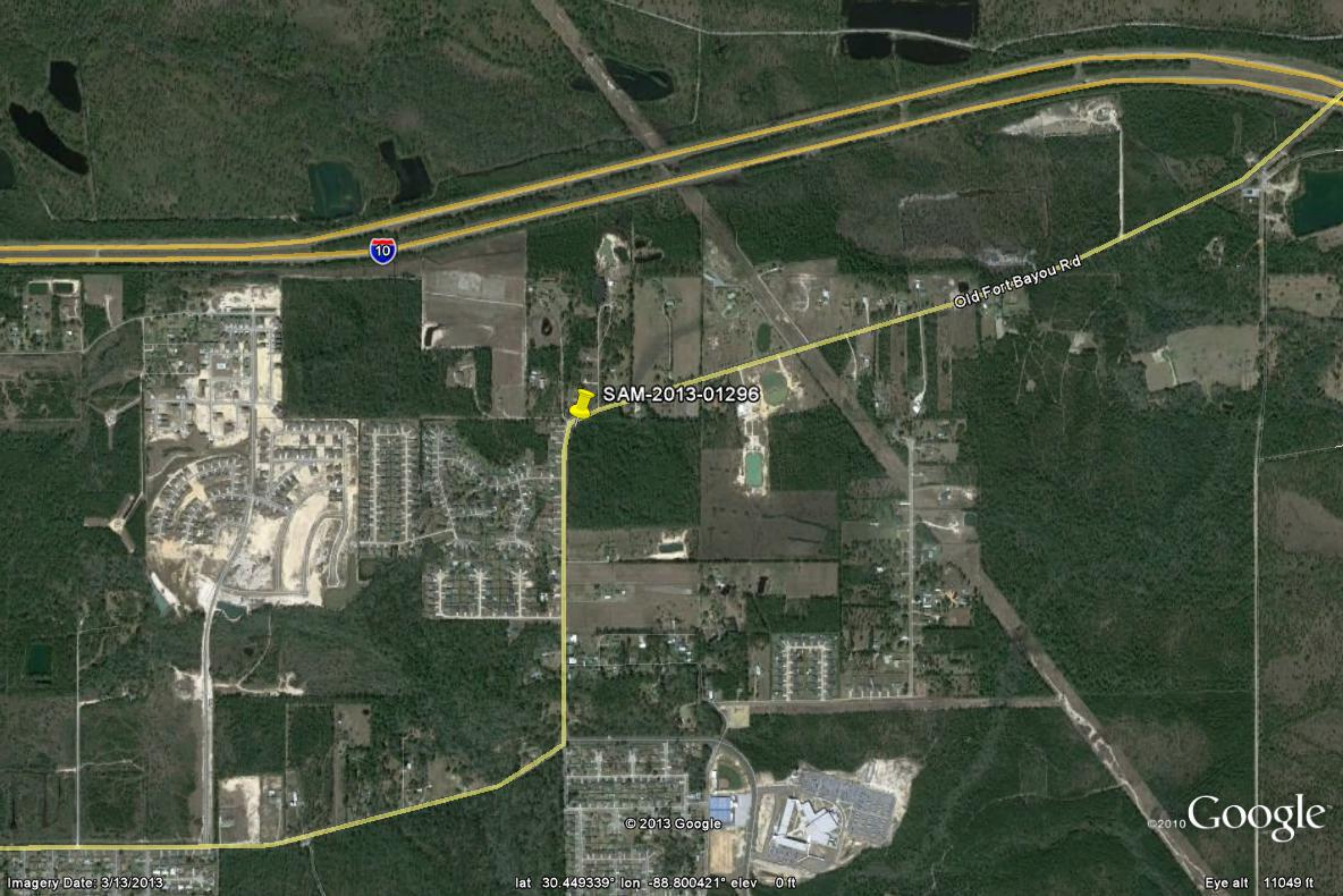
© 2013 Google

© 2010 Google

lat 30.448994° lon -88.803890° elev 0 ft

Eye alt 3456 ft

Imagery Date: 3/13/2013

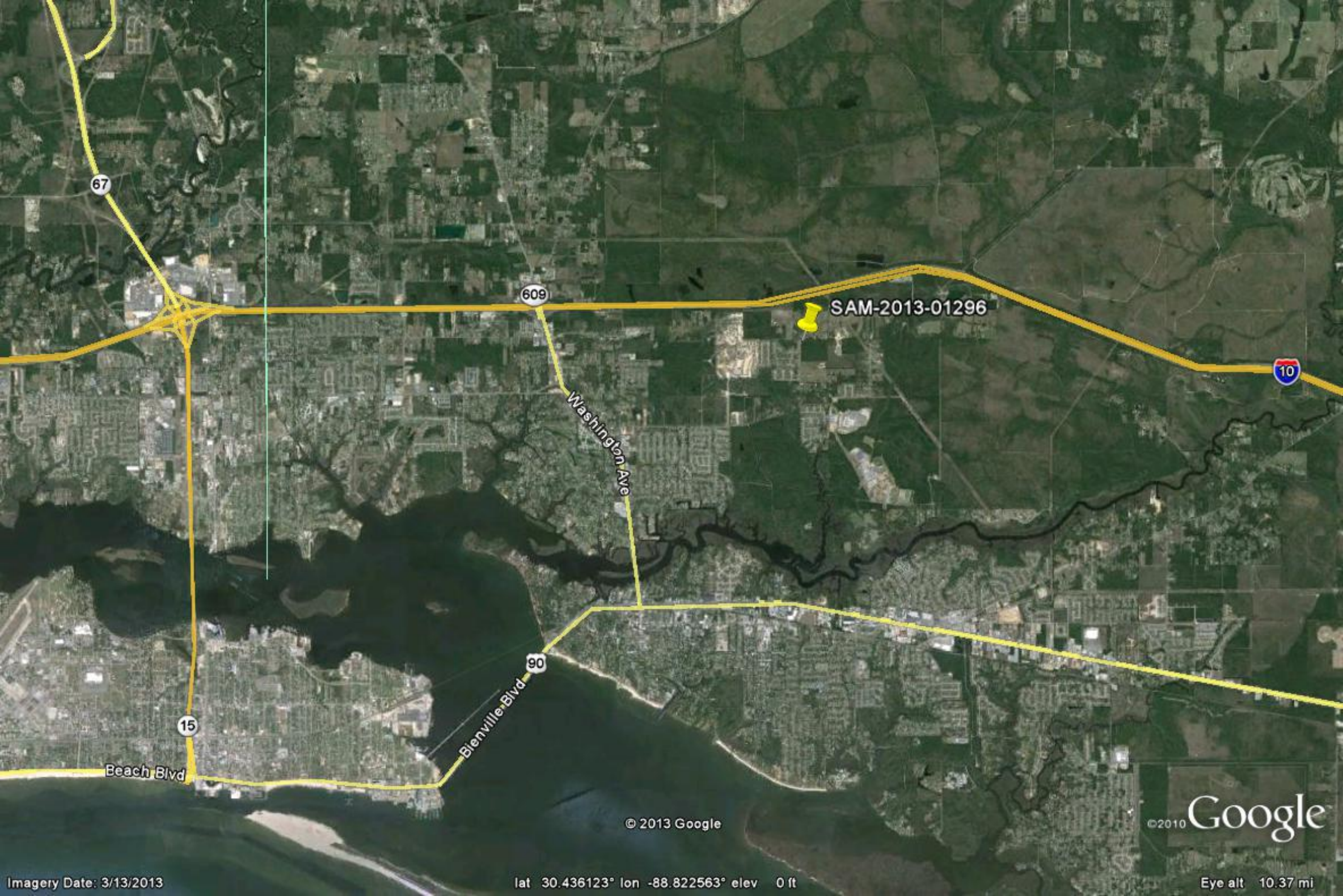


Old Fort Bayou Rd

SAM-2013-01296

© 2013 Google

©2010 Google



67

609

10

SAM-2013-01296

Washington Ave

15

90

Beach Blvd

Blenville Blvd

© 2013 Google

©2010 Google

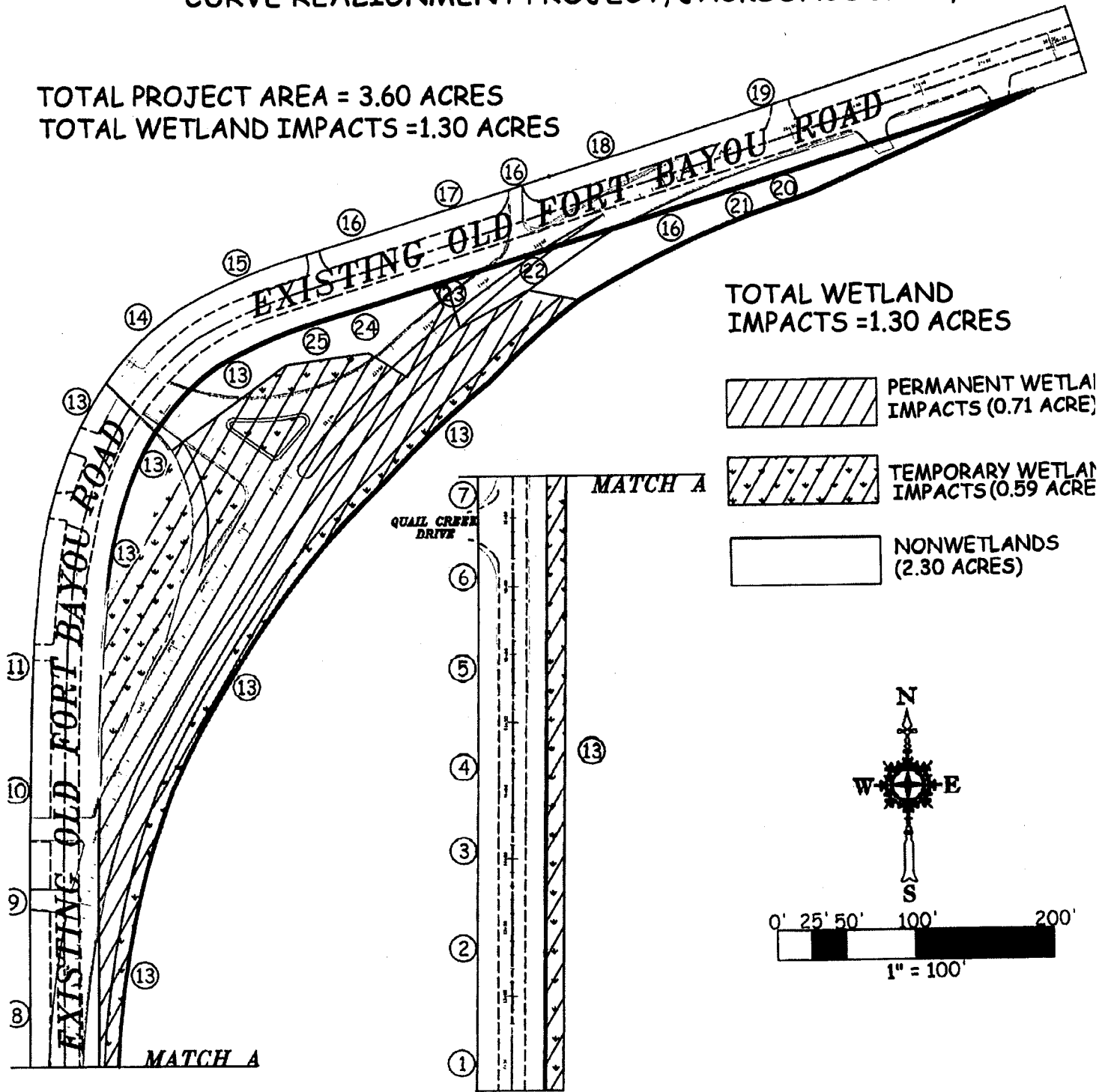
Imagery Date: 3/13/2013

lat 30.436123° lon -88.822563° elev 0 ft




Eye alt 10.37 mi

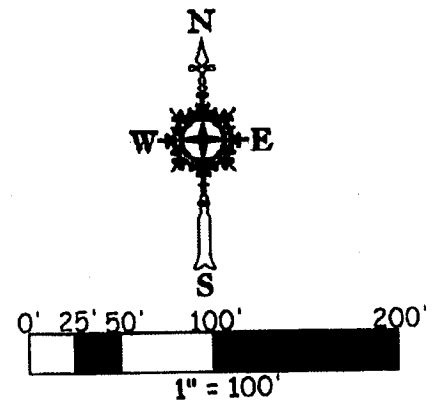
**FIGURE 2. PLAN VIEW FOR OLD FORT BAYOU ROAD
CURVE REALIGNMENT PROJECT, JACKSONCOUNTY, MS**

TOTAL PROJECT AREA = 3.60 ACRES
TOTAL WETLAND IMPACTS = 1.30 ACRES

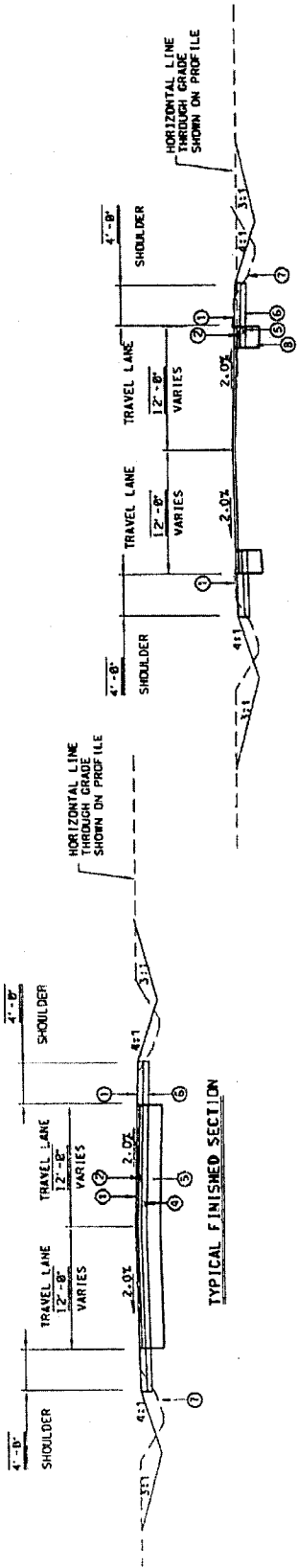


TOTAL WETLAND
IMPACTS = 1.30 ACRES

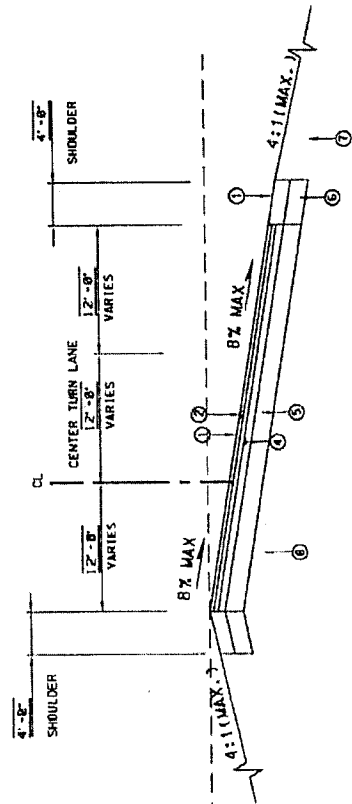
-  PERMANENT WETLAND IMPACTS (0.71 ACRE)
-  TEMPORARY WETLAND IMPACTS (0.59 ACRE)
-  NONWETLANDS (2.30 ACRES)



SECTION		TYPICAL ROADWAY		BKI	
NO.	DATE	BY	CHECKED	APPROVED	SCALE
1	12/22	JACKSON			
OLD FORT SANDY RD CURVE REALIGNMENT PROJECT NO. 15-450.00 CONTRACT NO. 21-000.00 DATE: DECEMBER 2012					



TYPICAL FINISHED SECTION
 APPLIES STA. 15+00.00 TO 18+50.00
 APPLIES STA. 21+000.00 TO 28+000.00



TYPICAL SUPERELEVATED SECTION

DESIGN SPEED: 40 MPH
 ROADWAY CLASSIFICATION: RC

LEGEND:

- ① 1.5" HOT MIX ASPHALT OR WARM MIX ASPHALT SURFACE PAVEMENT, 12.5mm MIXTURE
- ② 1.5" HOT MIX ASPHALT OR WARM MIX ASPHALT BINDER PAVEMENT, 12.5mm MIXTURE
- ③ 1.5" OR VARIABLE HOT MIX ASPHALT OR WARM MIX ASPHALT LEVELING PAVEMENT, 12.5mm MIXTURE
- ④ 3" HOT MIX ASPHALT OR WARM MIX ASPHALT BASE PAVEMENT, 19mm MIXTURE
- ⑤ 6" SIZE 825 OR CRUSHED STONE BASE
- ⑥ 4" SIZE 825 OR CRUSHED STONE BASE
- ⑦ UNCLASSIFIED EXCAVATION
- ⑧ 2' MIN BORROW MATERIAL

NOTE:
 SEEDING AND FERTILIZER TO BE EXTENDED TO INCLUDE ALL DISTURBED AREAS AS DIRECTED BY THE PROJECT ENGINEER.