



REPLY TO
ATTENTION OF:

DEPARTMENT OF THE ARMY
U.S. ARMY ENGINEER DISTRICT, MOBILE DISTRICT
P.O. BOX 2288
MOBILE, ALABAMA 36628-0001

Regulatory Division
Coastal Branch

April 13, 2009

**JOINT PUBLIC NOTICE SAM-2009-0433-JBM
U.S. ARMY CORPS OF ENGINEERS**

**MISSISSIPPI DEPARTMENT OF ENVIRONMENTAL QUALITY
OFFICE OF POLLUTION CONTROL**

MISSISSIPPI DEPARTMENT OF MARINE RESOURCES

**Maintenance Dredge the Port of Gulfport,
Gulfport, Harrison County, Mississippi**

TO WHOM IT MAY CONCERN:

This District has received an application for a Department of the Army permit pursuant to Section 10 of the Rivers and Harbors Act 1899 (33 USC 403) and Section 404 of the Clean Water Act (33 USC 1344). Please communicate this information to interested parties.

APPLICANT: Mississippi State Port Authority
P.O. Box 40
Gulfport, Mississippi 39501

Agent: BMI Environmental, Inc.
521 34th Street
Gulfport, Mississippi 39507

WATERWAY: Mississippi Sound, Gulfport, Harrison County, Mississippi (Section 9, Township 8 South, Range 11 W. / Lat. 30.356° N; Long. 89.091° W).

WORK: The applicant proposes to maintenance dredge 200,000 cubic yards of material over a 10-year period from the Gulfport Harbor and the Gulfport Commercial Small Craft Harbor including the entrance channel. The areas to be dredged and the project depths are shown on the enclosed drawings. Material will be dredged by hydraulic and mechanical methods. Hydraulically dredged material will be placed in the Federal Project Mississippi Sound open water disposal sites utilizing thin layer disposal techniques. Mechanically excavated material will be placed in the Harrison County Development Commission upland disposal areas C-1 and C-2. No wetlands or submerged aquatic vegetation will be impacted. See the attached drawings for additional details. The purpose of the project is to provide sufficient water depths for vessel access to the Port's docks which are adjacent to the Federally Authorized Project. This is a request to reauthorize work permitted by Department of the Army permit MS96-02521-U, which expired in December 2006.

CESAM-RD-C

Public Notice Number SAM-2009-0433-JBM

The applicant has applied for certification from the State of Mississippi in accordance with Section 401(a)(1) of the Clean Water Act, and upon completion of the required advertising, a determination relative to certification will be made.

The applicant has certified that the proposed activity complies with and will be conducted in a manner that is consistent with the State Coastal Zone Management Program. A determination relative to consistency will be made by the Mississippi Department of Marine Resources.

This public notice is being distributed to all known interested persons in order to assist in developing facts on which a decision by the U.S. Army Corps of Engineers (Corps) can be based. For accuracy and completeness of the record, all data in support of or in opposition to the proposed work should be submitted in writing setting forth sufficient detail to furnish a clear understanding of the reasons for support or opposition. The decision whether to issue a permit will be based on an evaluation of the probable impact, including cumulative impacts, of the proposed activity on the public interest. That decision will reflect the national concern for both protection and utilization of important resources.

The benefit which reasonably may be expected to accrue from the proposal must be balanced against its reasonably foreseeable detriments. All factors which may be relevant to the proposal will be considered, including the cumulative effects thereof; among those are conservation, economics, aesthetics, general environmental concerns, wetlands, cultural values, fish and wildlife values, flood hazards, flood plain values, land use, navigation, shoreline erosion and accretion, recreation, water supply and conservation, water quality, energy needs, safety, food production, and in general, the needs and welfare of the people.

The Corps is soliciting comments from the public; Federal, State, and local agencies and officials; Indian Tribes; and other interested parties in order to consider and evaluate the impacts of this proposed activity. Any comments received will be considered by the Corps to determine whether to issue, modify, condition or deny a permit for this proposal. To make this decision, comments are used to assess impacts on endangered species, historic properties, water quality, general environmental effects, and the other public interest factors listed above. Comments are used in the preparation of an Environmental Assessment and/or an Environmental Impact Statement pursuant to the National Environmental Policy Act. Comments are also used to determine the need for a public hearing and to determine the overall public interest of the proposed activity.

Any person may request, in writing, within the comment period specified in this notice, that a public hearing be held to consider this application. Requests for public hearings shall state with particularity, the reasons for holding a public hearing.

CESAM-RD-C

Public Notice Number SAM-2009-0433-JBM

The National Register of Historic Places has been consulted and no properties listed in or eligible for the National Register are known to exist which would be affected by the proposed work. This review constitutes the full extent of cultural resources investigations unless comment to this notice is received documenting that significant sites or properties exist which may be affected by this work, or that adequately documents that a potential exists for the location of significant sites or properties within the permit area. Copies of this notice are being sent to the State Historic Preservation Officer and the U.S. Department of the Interior, National Park Service, Division of Archeological Services.

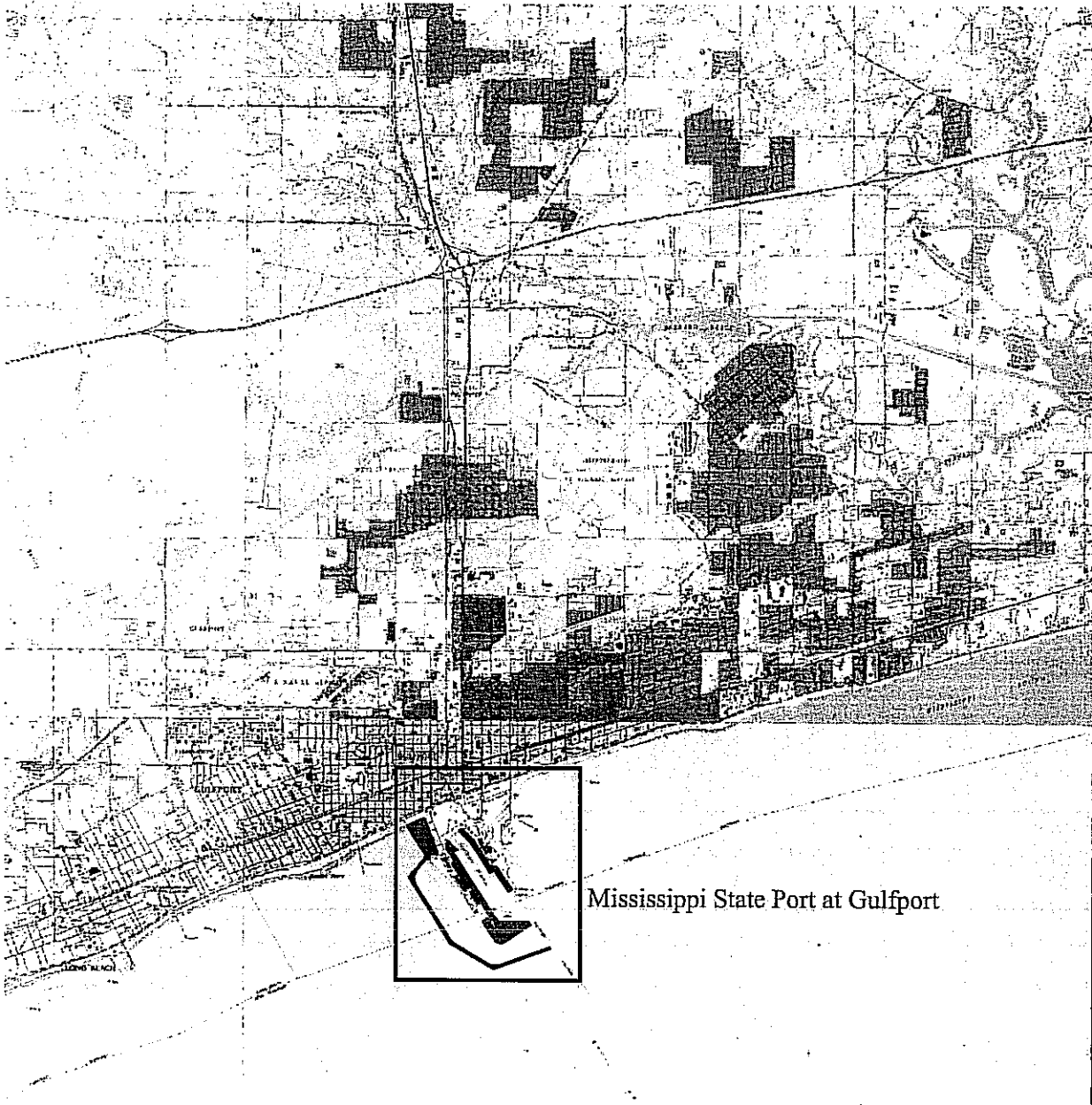
Preliminary review of this application and the U.S. Department of the Interior List of Endangered and Threatened Wildlife and Plants indicates that the proposed activity may affect listed endangered or threatened species, and their critical habitat. Section 7 consultation with the National Marine Fisheries Service for the similar and adjacent Federal Project resulted in a conclusion that the project is "not likely to destroy or adversely modify designated Gulf sturgeon critical habitat" and is "not likely to adversely affect" listed sea turtles, fish or mammals (Consultation Number F/SER/2007/02307).

This notice initiates the Essential Fish Habitat (EFH) consultation requirements of the Magnuson-Stevens Fishery Conservation and Management Act. The maintenance dredging and placement of the dredged material will not significantly affect coastal habitat identified as Essential Fish Habitat (EFH) in the Gulfport Harbor project area. Based on the extent of this habitat in the general vicinity of the project and the small size of the project, the overall impact to fisheries resources is considered negligible. Our initial determination is that the proposed action will not have a substantial adverse impact on EFH or Federally managed fisheries.

Correspondence concerning this Public Notice should refer to Public Notice Number SAM-2009-0433-JBM and should be directed to the District Engineer, U.S. Army Engineer District, Mobile, Post Office Box 2288, Mobile, Alabama 36628-0001, Attention: Coastal Branch, with a copy to the Mississippi Department of Environmental Quality, Office of Pollution Control, Post Office Box 10385, Jackson, Mississippi 39289, and the Mississippi Department of Marine Resources, 1141 Bayview Avenue, Suite 101, Biloxi, Mississippi 39530, in time to be received within 21 days of the date of this public notice.

If you have any questions concerning this publication, you may contact this office, John B. McFadyen, telephone number (251) 690-3222, E-mail john.b.mcfadyen@usace.army.mil. Please refer to the above Public Notice number.

For additional information about our Regulatory Program, please visit our web site at www.sam.usace.army.mil/RD/reg, and please take a moment to complete our customer satisfaction survey while you're there. Your responses are appreciated and will allow us to improve our services.

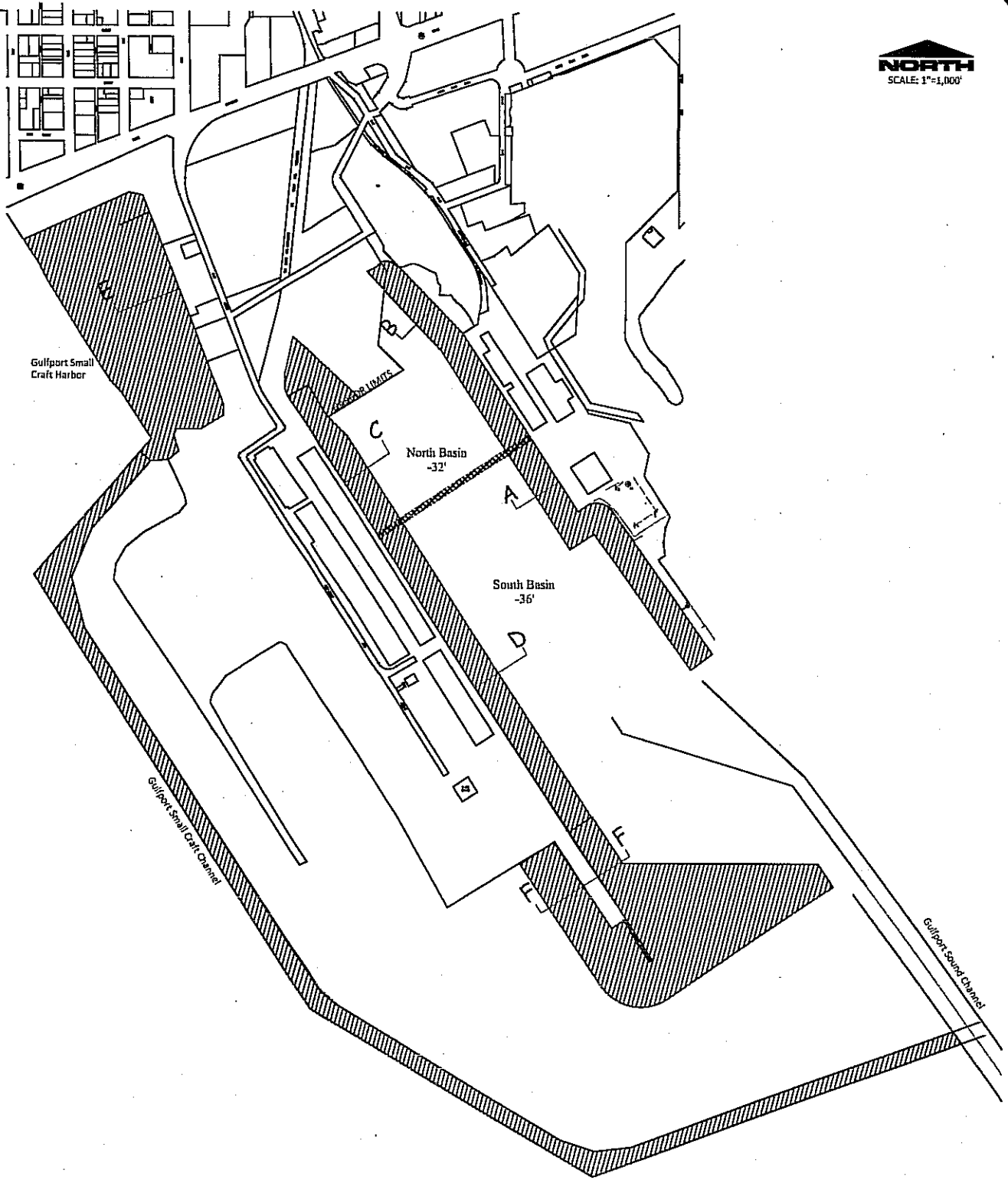


Mississippi State Port at Gulfport

Vicinity Map-Port Site
10 Year Maintenance Dredging Plan
Mississippi State Port at Gulfport
Gulfport, Harrison County, Mississippi



NORTH
SCALE: 1"=1,000'



Gulfport Small Craft Harbor

North Basin
-32'

South Basin
-36'

Gulfport Small Craft Channel

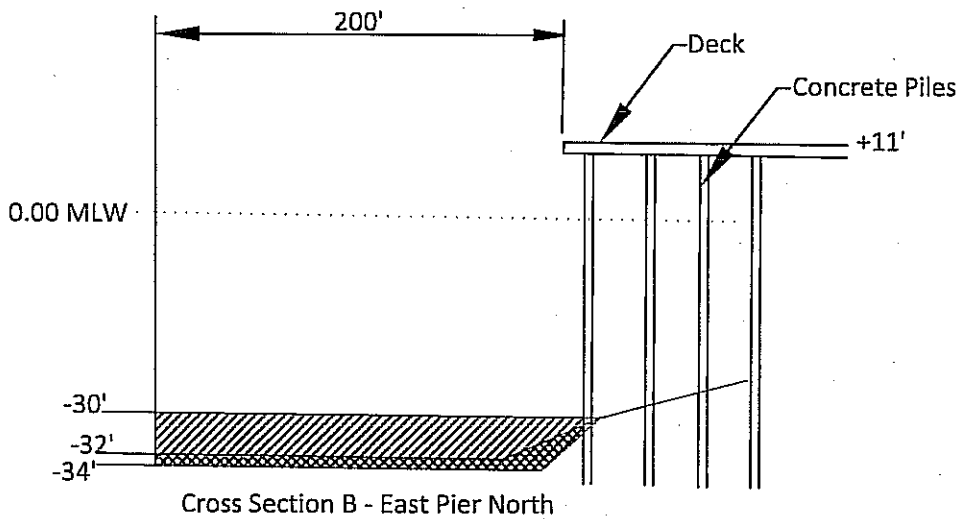
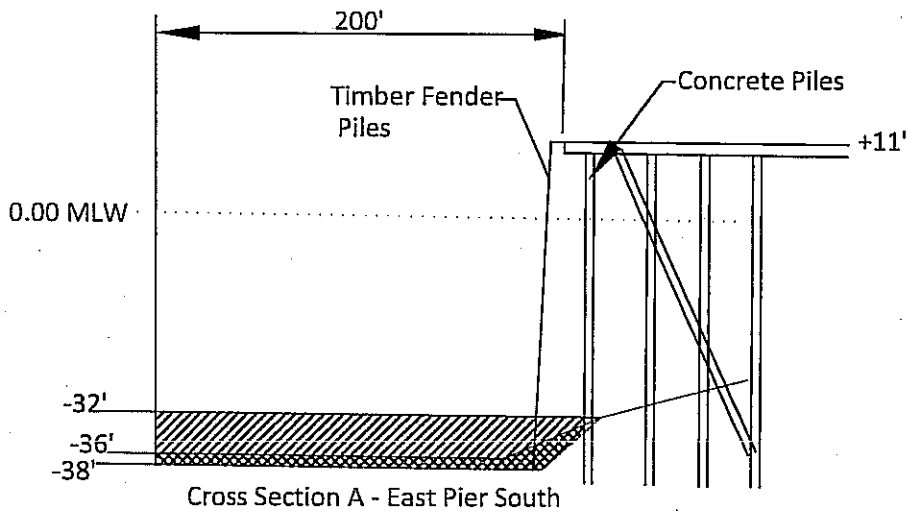
Gulfport Sound Channel



10 Year Maintenance Dredging Plan
Mississippi State Port at Gulfport
Gulfport, Harrison County, Mississippi



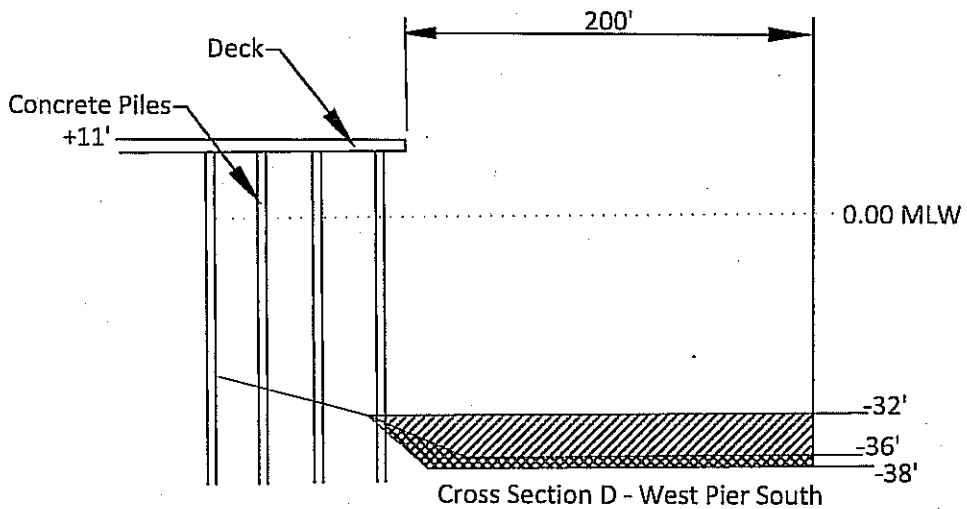
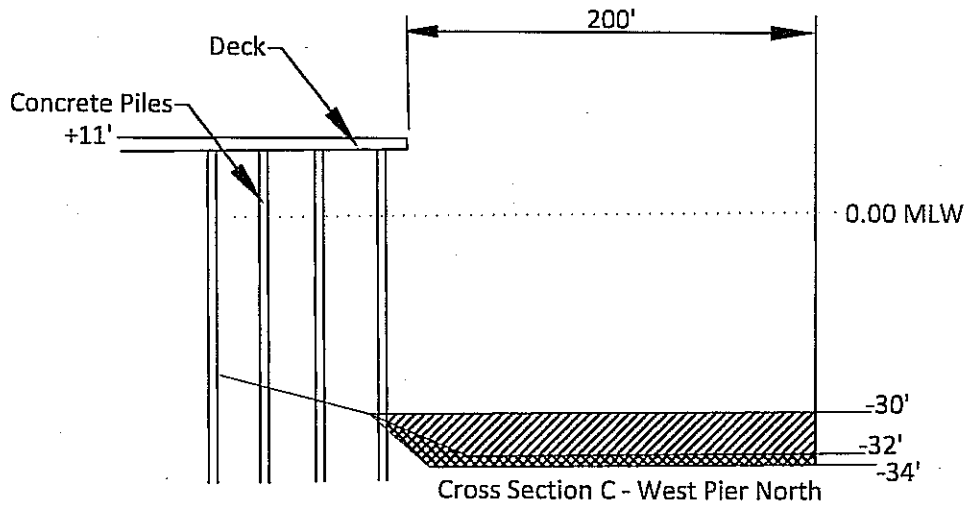
BMI Environmental Services, LLC



Environmental Consultants



-  Material to be dredged
-  Allowable Overdepth

Cross Sections A & B - East Pier
 10 Year Maintenance Dredging Plan
 Mississippi State Port at Gulfport
 Gulfport, Harrison County, Mississippi



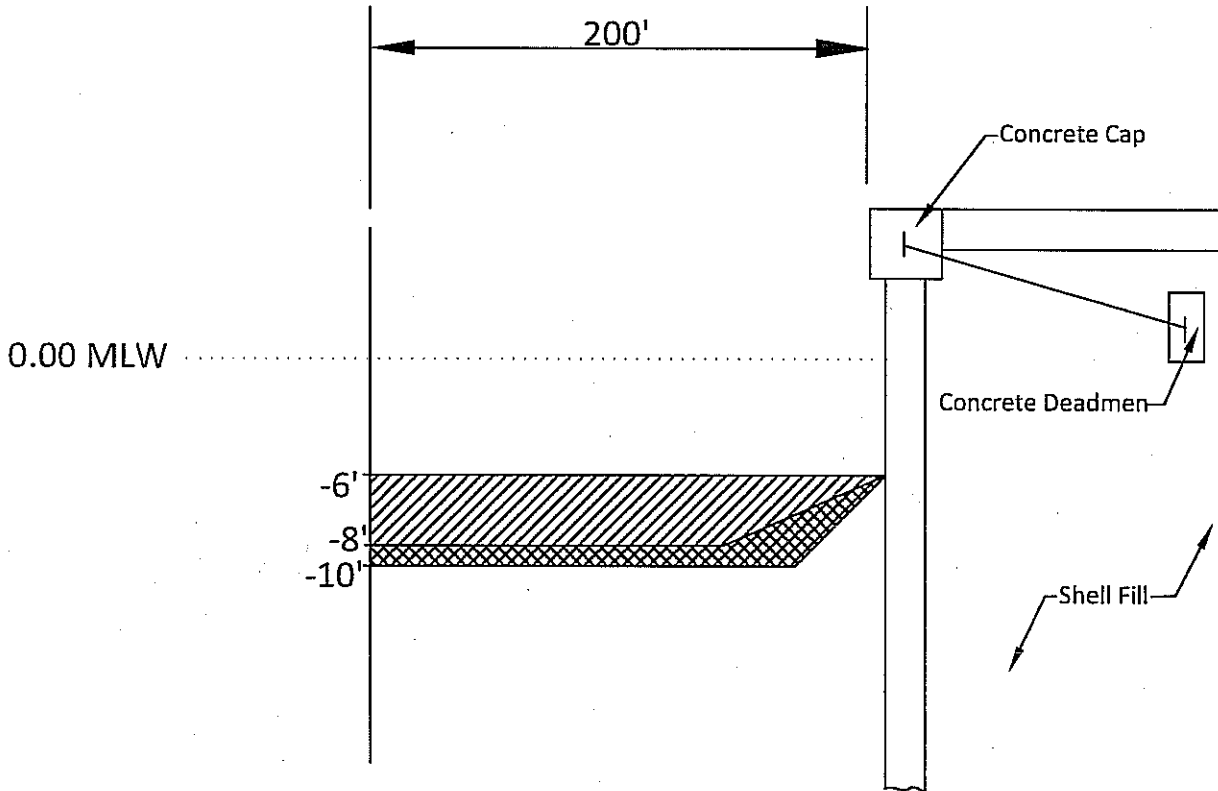
-  Material to be dredged
-  Allowable Overdepth



Cross Sections C & D - West Pier
 10 Year Maintenance Dredging Plan
 Mississippi State Port at Gulfport
 Gulfport, Harrison County, Mississippi



BMI Environmental Services, LLC

Environmental Consultants



-  Material to be dredged
-  Allowable Overdepth

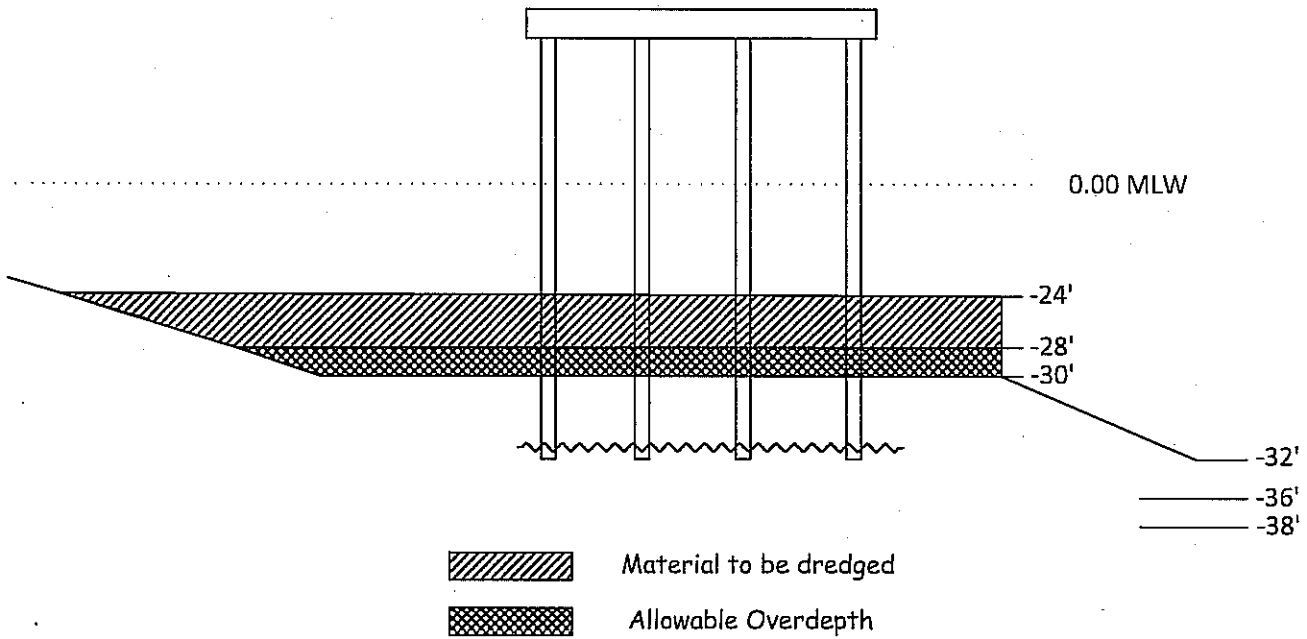
Cross Section E - Commercial Small Craft Harbor
 10 Year Maintenance Dredging Plan
 Mississippi State Port at Gulfport
 Gulfport, Harrison County, Mississippi



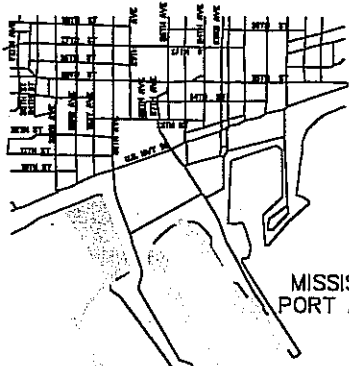
BMI Environmental Services, LLC

Environmental Consultants

U:\03104\10 yr\permit app Mar2009.dwg
 March 2009

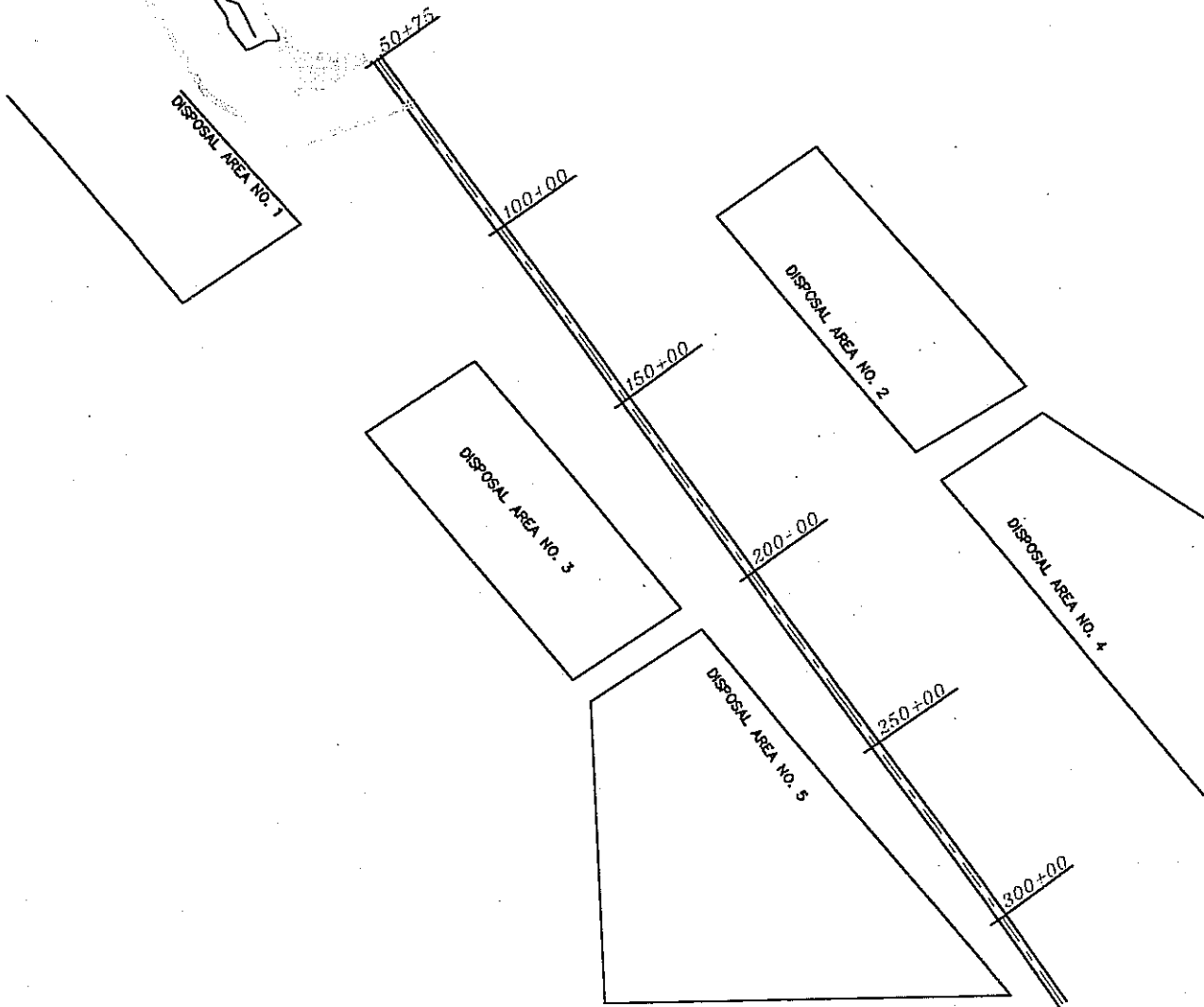


Cross Section F - West Pier 7
 10 Year Maintenance Dredging Plan
 Mississippi State Port at Gulfport
 Gulfport, Harrison County, Mississippi



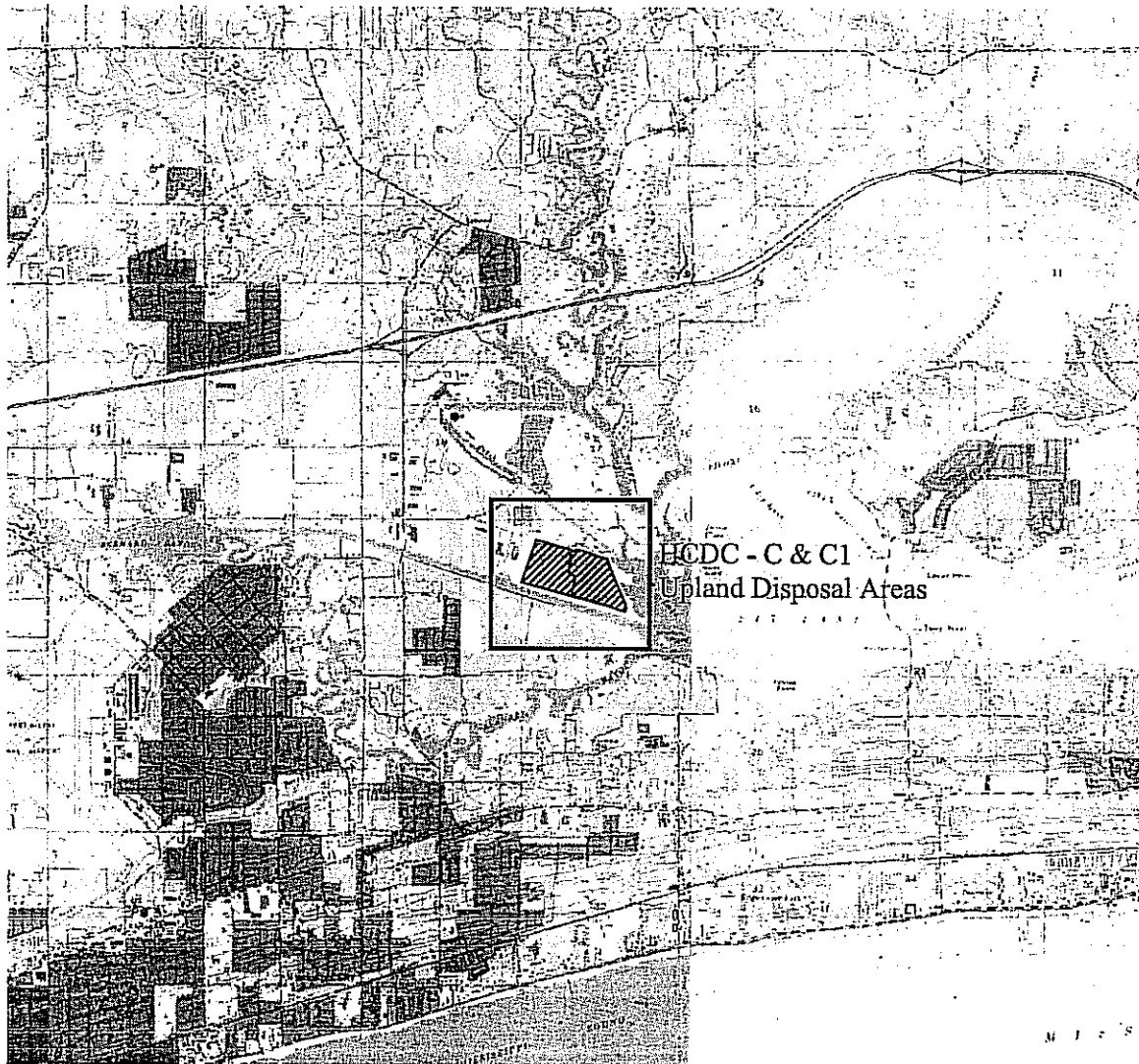
NORTH
SCALE: 1"=4,000'

MISSISSIPPI STATE
PORT AT GULFPORT

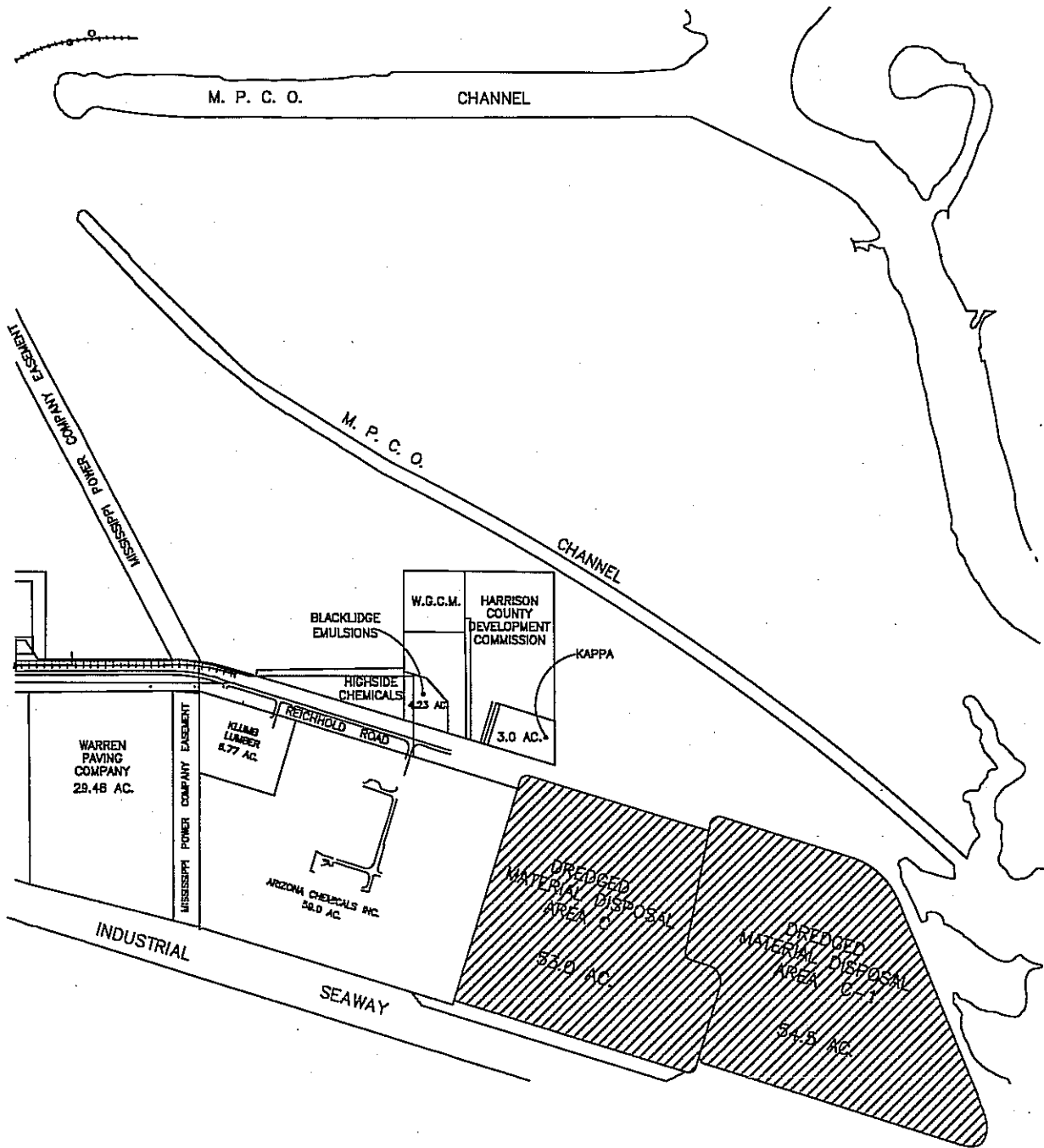


Open Water Disposal Areas - Mississippi Sound
10 Year Maintenance Dredging Plan
Mississippi State Port at Gulfport
Gulfport, Harrison County, Mississippi





Vicinity Map-Uplands Disposal Areas
10 Year Maintenance Dredging Plan
Mississippi State Port at Gulfport
Gulfport, Harrison County, Mississippi



Upland Disposal Areas - HCDC Disposal Sites
10 Year Maintenance Dredging Plan
Mississippi State Port at Gulfport
Gulfport, Harrison County, Mississippi

